

910 x 576 x 135 mm

horizontal version

- Nappy changer in robust, germ-reducing and easy-care stainless steel (AISI 304).
- All-stainless steel housing; all corners fully welded, visible surfaces satin finished and brushed, handle strip with glossy surface.
Further available surfaces: see below.
- Easy to open and close with maintenance free lifting mechanism supported by gas struts.
- Table surface in grey polypropylene, molded, without any visible fixtures.
- Intended for use with paper overlays.
- TÜV-tested and certified according to
EN 12221-1:2013
EN 12221-2:2013
AfPS GS 2019:01 PAK
- Test load 150 kg. Approved for private use:
Load capacity up to 11 kg / age up to 1 year.
- Wear parts can be replaced as modules.
- Mounting: With four screws through fixing holes in the back wall.
- Delivery includes fixing material.
- Weight, including single package: 25.1 kg

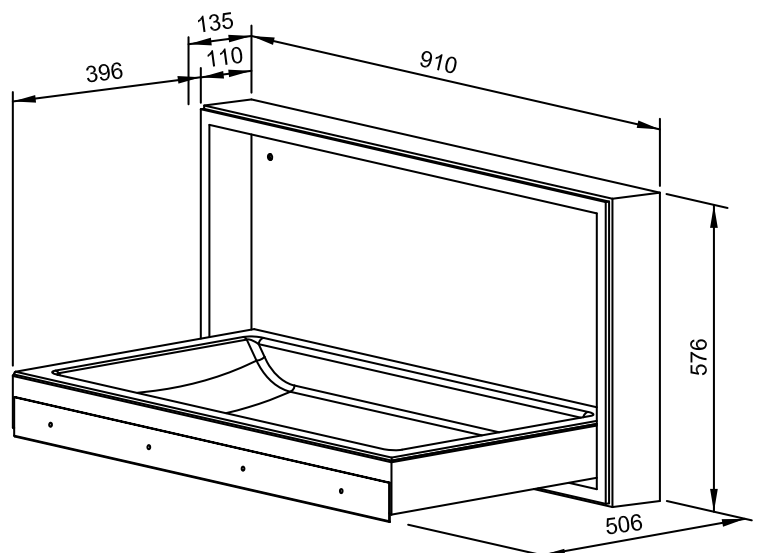


Suggested text for specifications:

Nappy changer in stainless steel (AISI 304) for surface mounting. All-stainless steel housing; all corners fully welded, visible surfaces satin finished and brushed, handle strip with glossy surface. Table surface molded in polypropylene to fold out with lifting mechanism supported by gas struts. TÜV-tested and certified. Approved for private use. Delivery includes fixing material.

Dimensions: 910 x 576 x 135 mm

Article No. WP2015



Available surfaces	ID No.
satin finished (standard)	727 885
(coloured) plastic powder-coating	728 885