

TABLETOP SOAP DISPENSER, LOCKABLE WP189-1



65 x 359 x 120 mm
chrome-plated brass

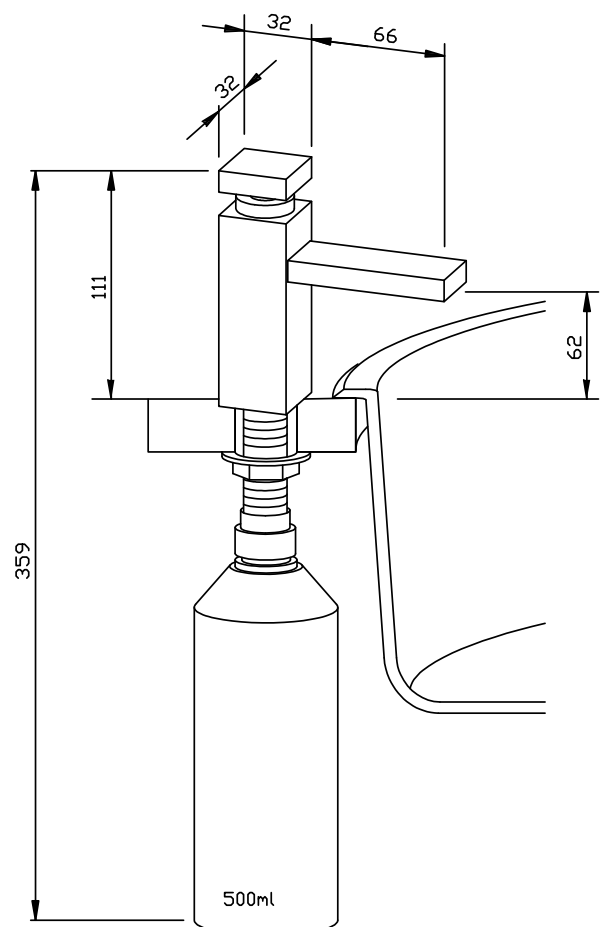
- Tabletop soap dispenser, lockable, in chrome-plated brass.
- Solid body in brass; visible surfaces high-gloss chrome-plated.
- Design height: 111 mm
Outlet height: 62 mm
Projection: 66 mm
- Non-drip soap pump with 500 ml soap container in plastics and pressure valve in brass.
- Also available with 1000 ml containers in plastics.
- 500 ml container in stainless steel as an option for a surcharge.
- Designed for standard liquid soaps.
- Refillable from above by unscrewing the top part, secured with hexagon socket screw.
- Wear parts can be replaced as modules.
- Installation dimensions: \varnothing 22-26 mm, surface thickness max. 40 mm.
- Mounting: With one counternut.
- Delivery includes fixing material.
- Weight, including single package: 1.2 kg



Suggested text for specifications:

Tabletop soap dispenser, lockable, in chrome-plated brass for counter mounting. Solid body in brass; visible surfaces high-gloss chrome-plated. Non-drip soap pump with 500 ml soap container in plastics and pressure valve in brass. Designed for standard liquid soaps. Refillable from above by unscrewing the top part, secured with hexagon socket screw. Delivery includes fixing material.

Dimensions: (with container) 65 x 359 x 130 mm
Design height: 111 mm
Outlet height: 62 mm
Projection: 66 mm
Article No. WP189-1



Available surface	ID No.
chrome-plated	923 375

Ernst Wagner GmbH & Co. KG

Ernst-Abbe-Straße 21 · D-72770 Reutlingen · Tel.: +49712151539-0 · Fax: -20
info@wagner-ewar.de · www.wagner-ewar.de

WAGNER
EWAR