

500-850 mm

- Support rail in robust, germ-reducing and easy-care stainless steel (AISI 304), satin finished.
- Outer diameter of tubes 32 mm for ergonomic hold, bend radii 75 mm.
- Wall mountings with 6-point mounting plate, 90 x 250 x 4 mm, and with 2K-wall sealing-disc.
- Supports weight up to 125 kg.
- Fastening concealed by self-locking wall cover.
- TÜV-certified in accordance with DIN EN 12182, CE-marked in accordance with 93/42 EEC.
- Mounting: With six screws.
- Fixing material available as accessories for different kinds of walls.
- Intermediate sizes available upon request.

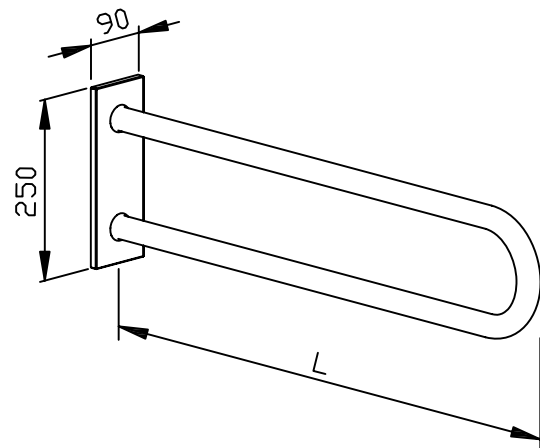


Suggested text for specifications:

Support rail in stainless steel (AISI 304), outer diameter of tubes 32 mm, surface satin finished. Wall mountings with 6-point mounting plate, 90 x 250 x 4 mm, and with 2K-wall sealing-disc; supports weight up to 125 kg. Fastening concealed by self-locking wall cover. TÜV-certified in accordance with DIN EN 12182, CE-marked in accordance with 93/42 EEC

Length mm

Article No. BF611



Options	ID No.
Toilet roll holder BA 010	600 010
Pre-installed fixing plate with cover BA 017	600 017
Toilet flush and call device BA 020	600 020
Toilet flush device BA 063	600 063

Accessories fixing material / wall structure	ID No.
Wood	923 210
Concrete (>B15)	923 211
light concrete/gas concrete/vertical coring bricks	923 212

Available surface	Length / ID No.			
	500 mm	600 mm	700 mm	850 mm
satin finished (standard)	611 500	611 600	611 700	611 800