

# SHOWER HEAD HOLDER BA035



88 x 37 x 113 mm

- Shower head holder in nylon, grey.
- For shower rails with tube diameter 32 mm.
- Continuously height-adjustable and rotatable.
- Cone with stepless angle adjustment, designed for standard hand showers.
- Laterally integrated multi-purpose hook.
- Mounting: By pushing on the shower rail.
- Weight, including single package: 0,1 kg

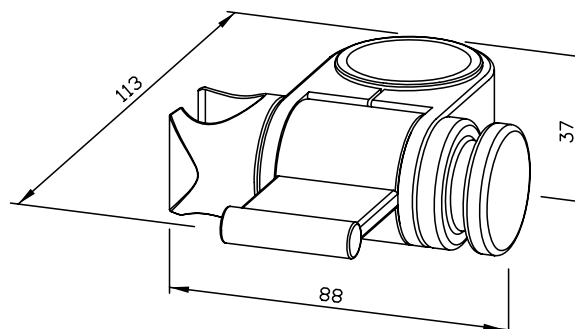


## Suggested text for specifications:

Shower head holder with laterally integrated multi-purpose hook for shower rails with tube diameter 32 mm in nylon, grey. Continuously height-adjustable and rotatable. Cone for hand shower with stepless angle adjustment.

Dimensions 88 x 37 x 113 mm

Article No. BA035



Available surface	ID No.
Plastic, grey	600 035

**Ernst Wagner GmbH & Co. KG**

Ernst-Abbe-Straße 21 · D-72770 Reutlingen · Tel.: +49712151539-0 · Fax: -20  
info@wagner-ewar.de · www.wagner-ewar.de

WAGNER  
EWAR