

"MAN" PICTOGRAM FOR SCREWING AC401



120 x 135 x 2 mm

- Pictogram with „Man“ motif in 2 mm thick stainless steel (AISI 304), satin finished and brushed.
- Mounting with double-sided glue dots on three mounting screws.
- Delivery includes fixing material.
- Weight, including single package: 0.2 kg

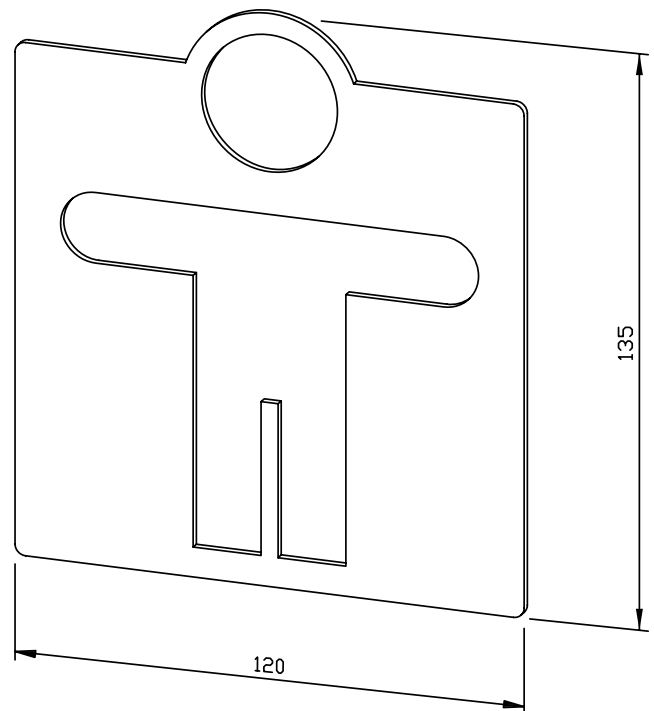


Suggested text for specifications:

Pictogram for screwing with ‚Man‘ motif in 2 mm thick stainless steel (AISI 304), satin finished and brushed. Delivery includes fixing material.

Dimensions: 120 x 135 x 2 mm

Article No. AC401



Available surface	ID No.
satin finished	700 401

Ernst Wagner GmbH & Co. KG

Ernst-Abbe-Straße 21 · D-72770 Reutlingen · Tel.: +49712151539-0 · Fax: -20
info@wagner-ewar.de · www.wagner-ewar.de

WAGNER
— EWAR